

# S2500 AWTS

## TECHNICAL DATA SHEET

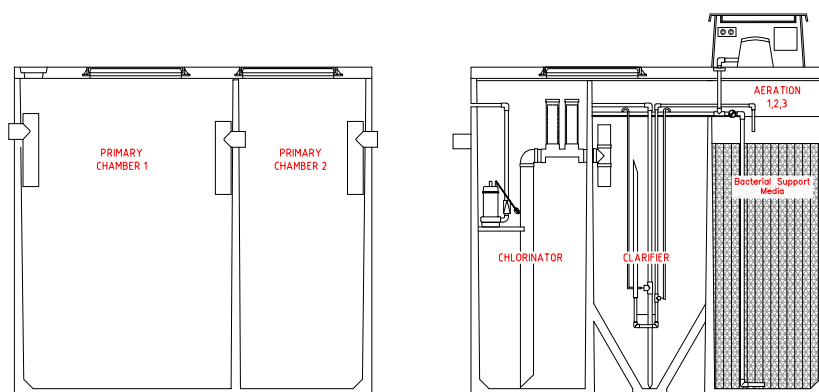
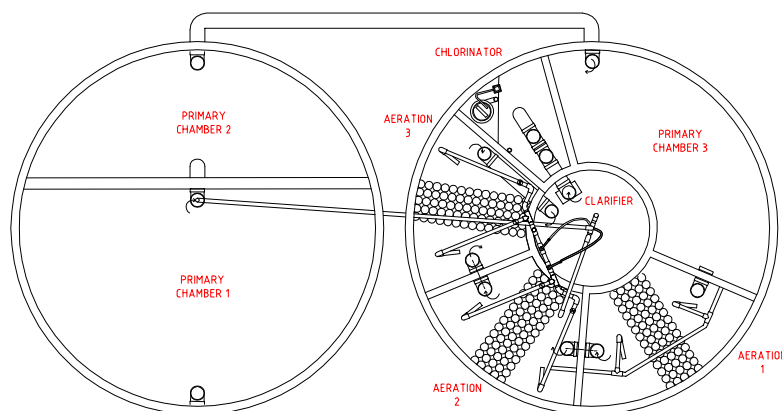
- The S2500 Aerated Wastewater Treatment System (AWTS) turns wastewater into clear, odourless, water for pumped disposal to vegetation for transpiration to the atmosphere.
- Reliable, high quality, Australian designed and built, all concrete treatment system.
- BioSeptic has tested three AWTS models at the Jimboomba National AWTS test site. Each has been accredited to AS1546.3:2017. The S2500 is adapted from those accredited designs.
- Small commercial premises
- It is a modular unit, allowing the treatment system to be expanded if required.

### SPECIFICATIONS

COMPONENT	DESCRIPTION
Septic tank	6950L with 2:1 division
Treatment tank	70250L consisting of: Third septic chamber 2174L Three discrete aeration chambers – 1081L 1200L, 1200L
Aeration	1 x 200l/min diaphragm air blower 240vac 170 - 190 watts 6 air diffusers
Bacterial support media	1.03m <sup>3</sup> providing 206m <sup>2</sup> of surface area
Clarifier	Surface area 0.5m <sup>2</sup> Waste activated sludge recycled to the septic tank
Disposal/transfer pump	Drainer type. 240vac, 7 amps, 0.75kW
Control box	Plugs into a 3 pin outlet - 10 amps circuit

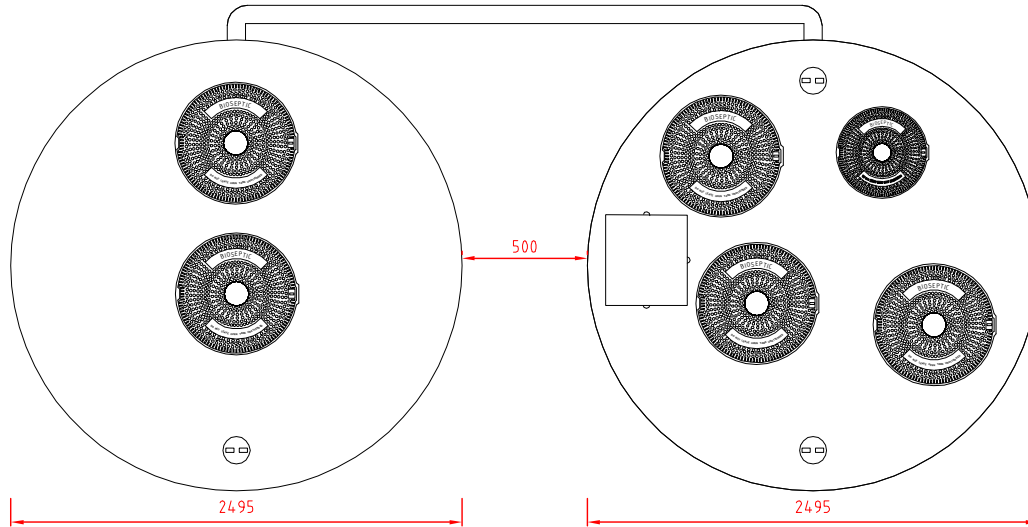
### FEATURES

- ✓ 30 Year Warranty - concrete components
- ✓ 2 Year Conditional Warranty - Pumps and Blowers
- ✓ Alarm System
- ✓ Chlorine Disinfection
- ✓ 1st Year Servicing, if required
- ✓ Includes Basic disposal/Irrigation System
- ✓ Disposal pumps to match application
- ✓ Suits New and Existing Buildings
- ✓ Environmentally Friendly

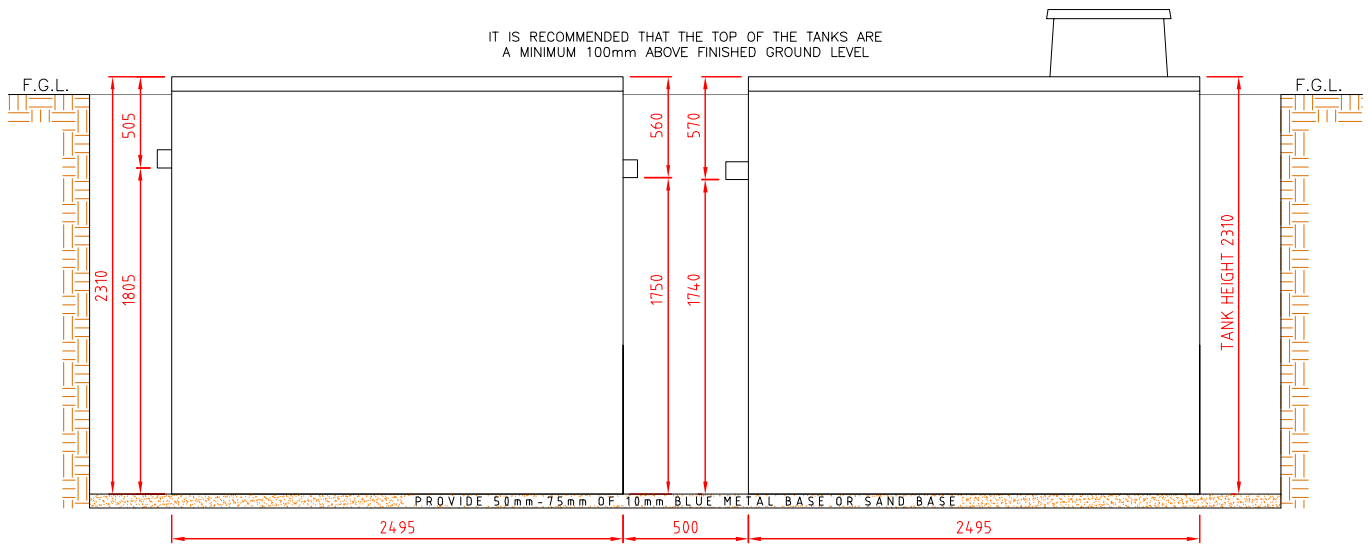


# S2500 AWTs

## EXCAVATION DETAILS



IT IS RECOMMENDED THAT THE TOP OF THE TANKS ARE A MINIMUM 100mm ABOVE FINISHED GROUND LEVEL



## TREATMENT CAPACITY

Treatment capacity varies with influent strength and flow pattern. BioSeptic can assist with designing the best system for any application.

DOMESTIC MODELS	TANKS	TREATMENT CAPACITY FOR BALANCED DOMESTIC INFLUENT	USE
S-TEN	1	1500L/day	Single dwelling – 10 persons
Performa	2	1500L/day	Single dwelling – 10 persons
<b>S2500</b>	<b>2</b>	<b>2500L/day</b>	<b>Larger dwelling</b>
Commercial models			
S3500	2	3500L/day	Commercial premises
S5000	2	5000L/day	Commercial premises