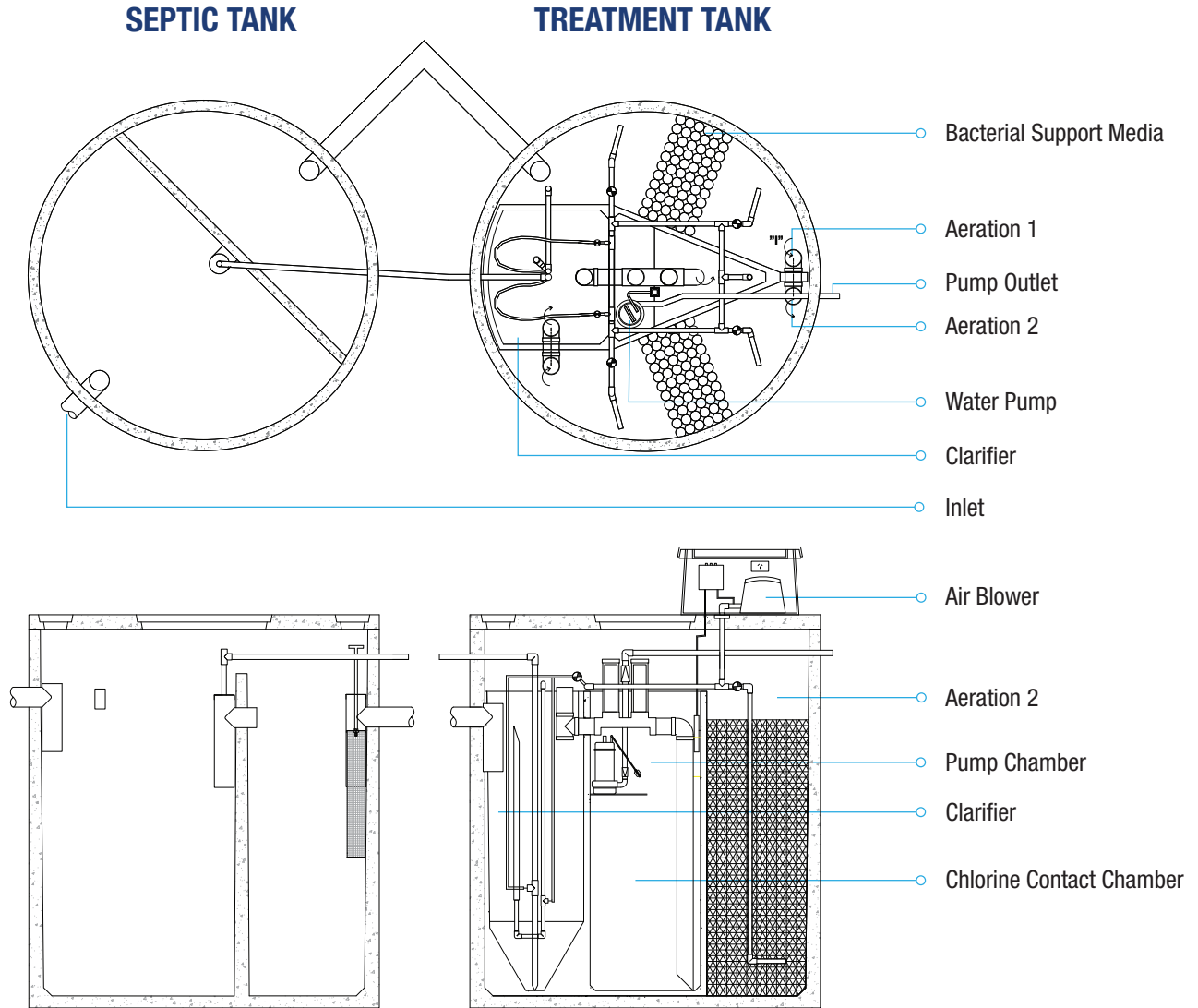


# BIOSEPTIC

## PERFORMA 2020 10 Person AWTS

NSW Health Certificate of Accreditation - STS-AWTS047



## PRODUCT INFORMATION

- BioSeptic holds Global Certification third party accreditation for Product Certification to:
  - › AS 1546.3:2017 On-site domestic wastewater treatment units. Part 3 Secondary treatment systems.
  - › AS/NZS 1546.1:2008 On-site wastewater treatment units. Part 1 Septic tanks.
- The BioSeptic Performa 2020 is a ten person Sewage Treatment System (STS) also known as an Aerated Wastewater Treatment System (AWTS).
- The BioSeptic Performa AWTS uses concrete tanks and chambers and has been in production since 1993.
- NSW Health Department Certificate of Accreditation – STS-AWTS047.

CHAMBERS	CAPACITIES
Septic tank	3550 L
Aeration 1	1250 L
Aeration 2	1250 L
Clarifier	500 L
Chlorine Contact Chamber	300 L
Pump Chamber	100 L
Surcharge Capacity	1140 L

67 Smeaton Grange Road, Smeaton Grange, NSW, 2567  
 PO BOX 3250, Narellan, NSW, 2567  
**P:** 1300 658 111 | **E:** reception@bioseptic.com.au  
**www.bioseptic.com.au** | **ABN** 95 056 461 226



**BIOSEPTIC**  
 The Ultimate Sewage System