

# Jumbo AWTs

## TECHNICAL DATA SHEET

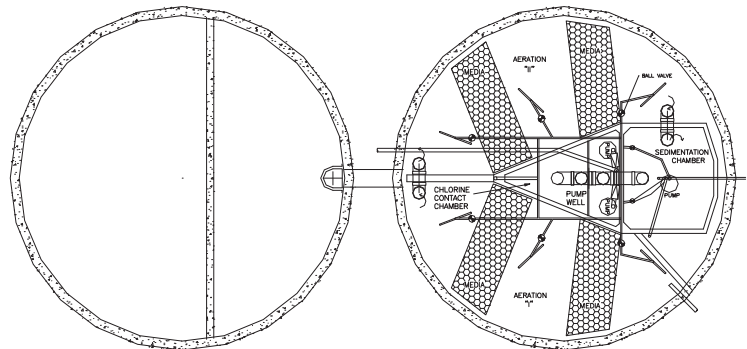
- The BioSeptic Jumbo Aerated Wastewater Treatment System (AWTS) turns wastewater into clear, odourless, water for pumped disposal to vegetation for transpiration to the atmosphere.
- Reliable, high quality, Australian designed and built, all concrete treatment system.
- Used for large homes, dual occupancy homes, small factories and toilet blocks with occasional showers.
- Can be installed as a modular unit, allowing the treatment system to grow with the development.

### FEATURES

- 30 Year Warranty - concrete components
- 2 Year Conditional Warranty - Pumps and Blowers
- Alarm System
- Chlorine Disinfection
- 1st Year Servicing Free if required
- Includes Basic Irrigation System
- Disposal pumps to match application
- Suits New and Existing Buildings
- Environmentally Friendly

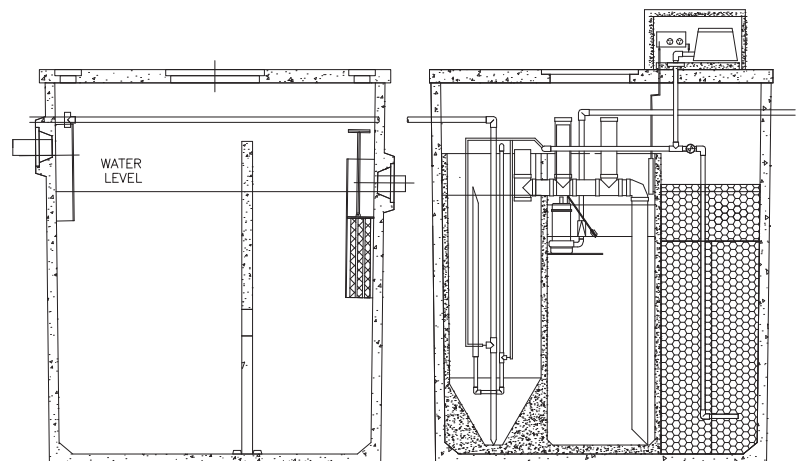
### SPECIFICATIONS

COMPONENT	DESCRIPTION
Septic tank	6950L baffled concrete tank with 2:1 division
Treatment tank	7000L consisting of: Two aeration chambers – 2 x 2400L
Aeration	1 x 200l/min diaphragm air blower 240vac 170 – 190 watts 12 air diffusers
Bacterial support media	1.65m <sup>3</sup> providing 329m <sup>2</sup> of surface area
Clarifier	Surface area 0.5m <sup>2</sup> Waste activated sludge recycled to the septic tank
Rigid air lines	Schedule 40 PVC - 20mm + 25mm
Flexible air lines	Polyethylene 13mm
Disposal/transfer pump	Drainer type. 240vac, 7 amps, 0.75kW
Control box	Plugs into a 3 pin outlet – 10 amps circuit



SEPTIC TANK

TREATMENT TANK



### TREATMENT CAPACITY

Treatment capacity varies with influent strength and flow pattern. BioSeptic can assist with designing the best system for any application.

### OTHERS SYSTEMS

BioSeptic Performa - single house

BioSeptic Entertainer - suitable for small dynamic flows

BioSeptic Hiflow - larger establishments with dynamic flows