

3800L Collection Well



3800Litre concrete collection well



Weight 3950kg



To collect sullage water from a septic tank for disposal by:

- Periodic removal by vacuum tanker
- Pump to disposal area/trench/sewer



Suitable for use as a water tank or Onsite Detention Tank (OSD)



LOCKABLE & LIGHTWEIGHT composite resin access cover:

- Weigh only 8.5kg and easy to lift
- Lockable with removable turnkey
- Sealed to prevent the ingress of surface water
- Access turret can be extended to increase fall into tank



Manufactured from 40mpa wet cast concrete with fibre steel reinforcing



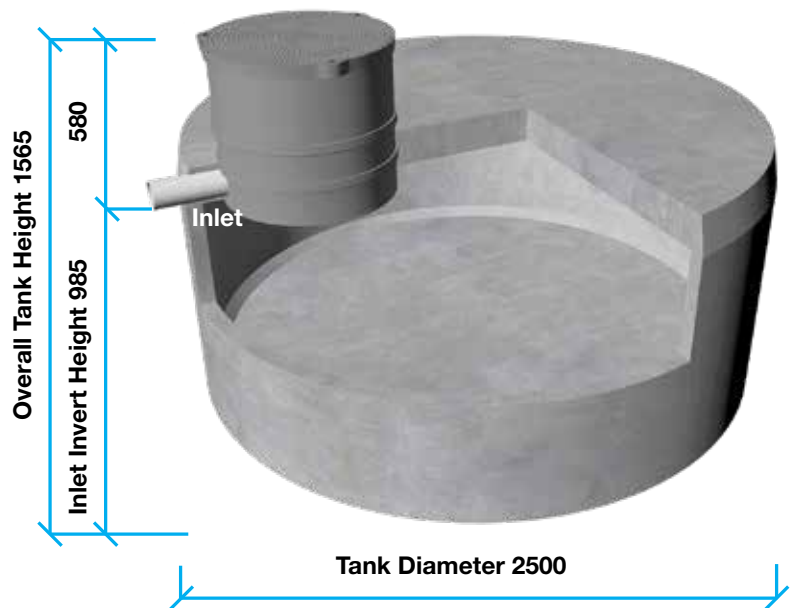
150mm concrete lid tested to 3000kg:

- Reinforced with F82 steel mesh
- Access cover top load limit – 510kg



Installation:

- Top of turret lid can be flush with finished ground level
- Provide 75mm level bed of aggregate under tank



NSW Ministry of Health
Certificate of Accreditation
003-21556

67 Smeaton Grange Road,
Smeaton Grange, NSW 2567
EMAIL sales@bioseptic.com.au
ABN 95 056 461 226

BIOSEPTIC

PHONE 1300 658 111