



# BioSeptic *Simply the Best!*



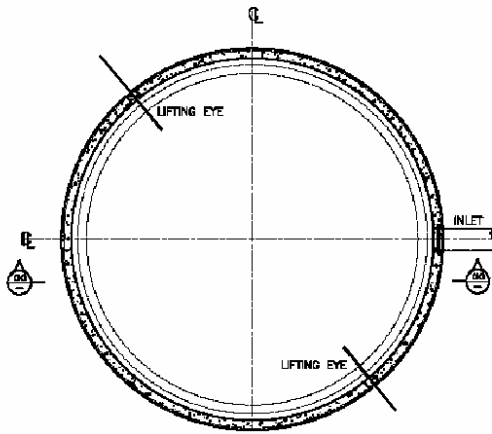
NSW HD  
GL Pt 3  
Lic 2221  
AWTS

## PRODUCT GUIDE: COLLECTION WELL 7200

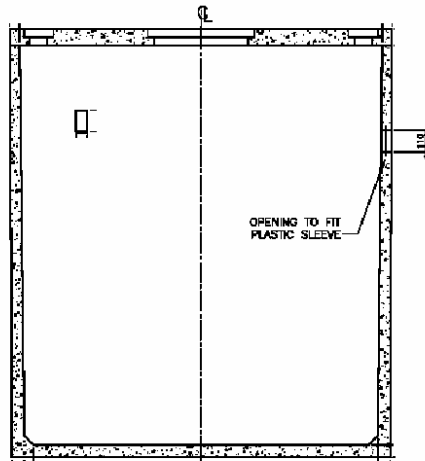
### DESCRIPTION

This collection well, a storage container used to hold effluent after treatment in a septic tank before pumping out, is made of sturdy concrete and holds up to 7200 litres.

### SPECIFICATIONS



COLLECTION WELL  
PLAN — TOP



SECTIONAL ELEVATION  
COLLECTION WELL

30 Year Warranty—Suits New and Existing Buildings—Accredited by the NSW Health Dept.

### WHY WASTE WATER ?



SEWAGE SYSTEMS

#### CONTACT

BioSeptic Pty Ltd  
ABN 95 056 461 226

Anzac Avenue,  
Smeaton Grange, NSW, 2567

PO Box 3250,  
Narellan, NSW, 2567

Ph: 1300 658 111

Fax: (02) 4629 6655

Email: [sales@bioseptic.com.au](mailto:sales@bioseptic.com.au)

Web: [www.bioseptic.com.au](http://www.bioseptic.com.au)